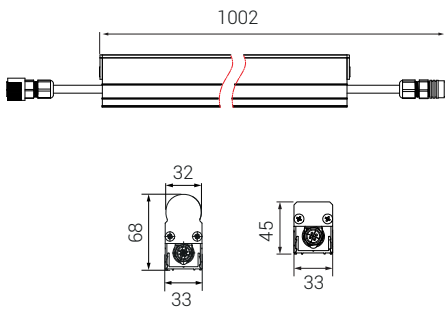


IP 66 15-48V DC



**RDMX**



- Min. 20 micron anodized aluminum extruded profile
- Stainless connectors
- PVC side cover with UV protection
- UV protective, diffused front cover
- Cooling capacity up to 36W/m
- Suitable for surface mounting
- Each piece can be produced at a max. length of 4 m
- RDMX configuration
- IP67 socket for DATA-SIGNALS

## P W Product & Power Options

Model	Light Color	Input Voltage (V)	Power (W)	Dimension (mm)	LED Quantity (pcs)	Pixel Pitch (cm)
LL-RDMX-10-4X2,5	RGB	15-48V DC	2	102	4	4x2,5
LL-RDMX-50-4X2,5	RGB	15-48V DC	6	502	20	4x2,5
LL-RDMX-100-4X2,5	RGB	15-48V DC	11	1002	40	4x2,5
LL-RDMX-150-4X2,5	RGB	15-48V DC	16	1502	60	4x2,5

## U Upper Piece Options

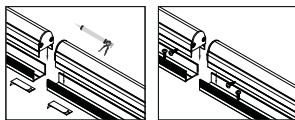


01: Diffuse cover

02: Flat Diffuse cover

03: Flat Polymer cover

## M Mounting Options



02: Silicone Double sided tape

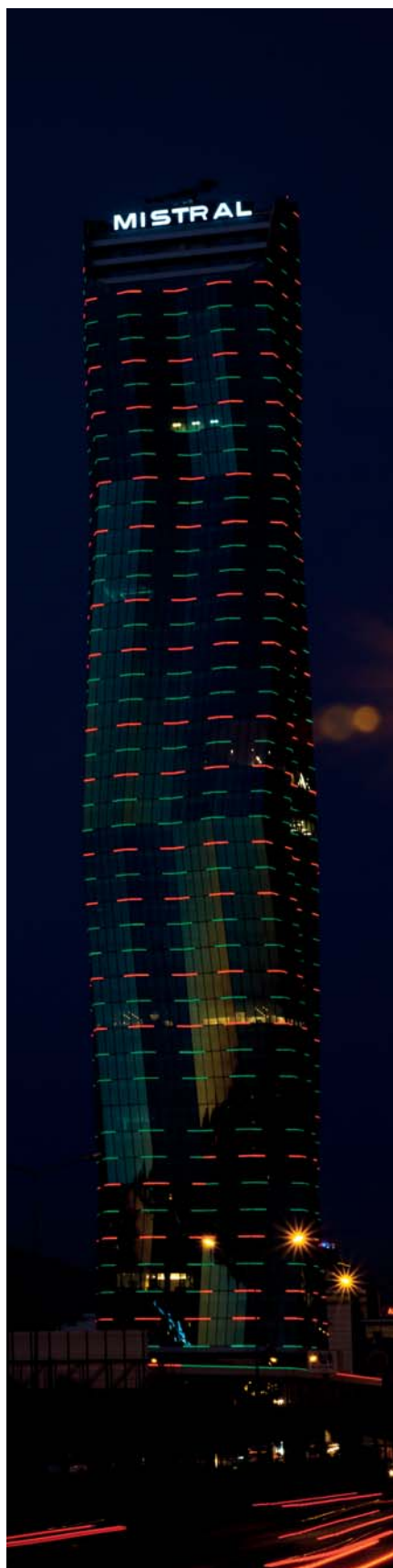
14: Screw mounting



Order Code

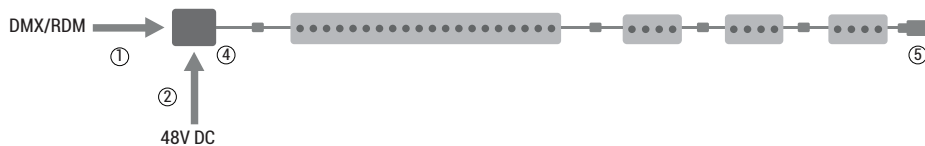
P . W . U . M



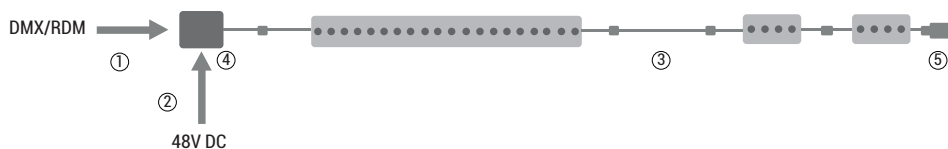


Mistral Tower, İzmir

## Standard Connection Scheme

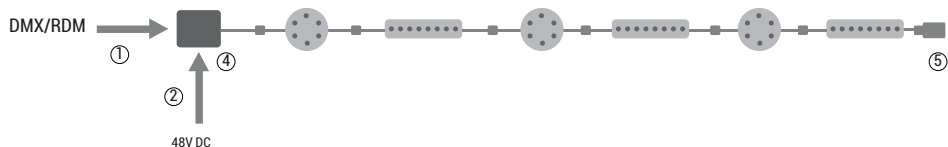


## Connection Scheme with Extension Socket



## Combined Model Connection Scheme

DOT-RDMX-xx and LL-RDMX-xxx can be grouped together by DOT/LL combined chain model



(1) DMX DATA CABLE, 33400474 : CABLE 2X0,22 KR-SY LI2Y(ST)CH TP GREY

(2) AC SUPPLY CABLE, 3x1mm TTR

(3) 26000xxx : SOCKET RDMX L:100/200/400/600/800/1000cm 4 PIN MALE-FEMALE DOUBLE SIDED EXTENSION IP67 (YM)



(4) 33600695 :RDMX INPUT  
JUNCTION BOX



(5) 33600696 : RDMX  
TERMINATOR

## Accessories

33400474 : CABLE 2X0,22 KR-SY LI2Y(ST)CH TP GREY

26000122 : SOCKET RDMX L:100cm 4 PIN MALE-FEMALE DOUBLE SIDED EXTENSION IP67 (YM)

26000150 : SOCKET RDMX L:200cm 4 PIN MALE-FEMALE DOUBLE SIDED EXTENSION IP67 (YM)

26000151 : SOCKET RDMX L:400cm 4 PIN MALE-FEMALE DOUBLE SIDED EXTENSION IP67 (YM)

26000152 : SOCKET RDMX L:600cm 4 PIN MALE-FEMALE DOUBLE SIDED EXTENSION IP67 (YM)

26000153 : SOCKET RDMX L:800cm 4 PIN MALE-FEMALE DOUBLE SIDED EXTENSION IP67 (YM)

26000154 : SOCKET RDMX L:1000cm 4 PIN MALE-FEMALE DOUBLE SIDED EXTENSION